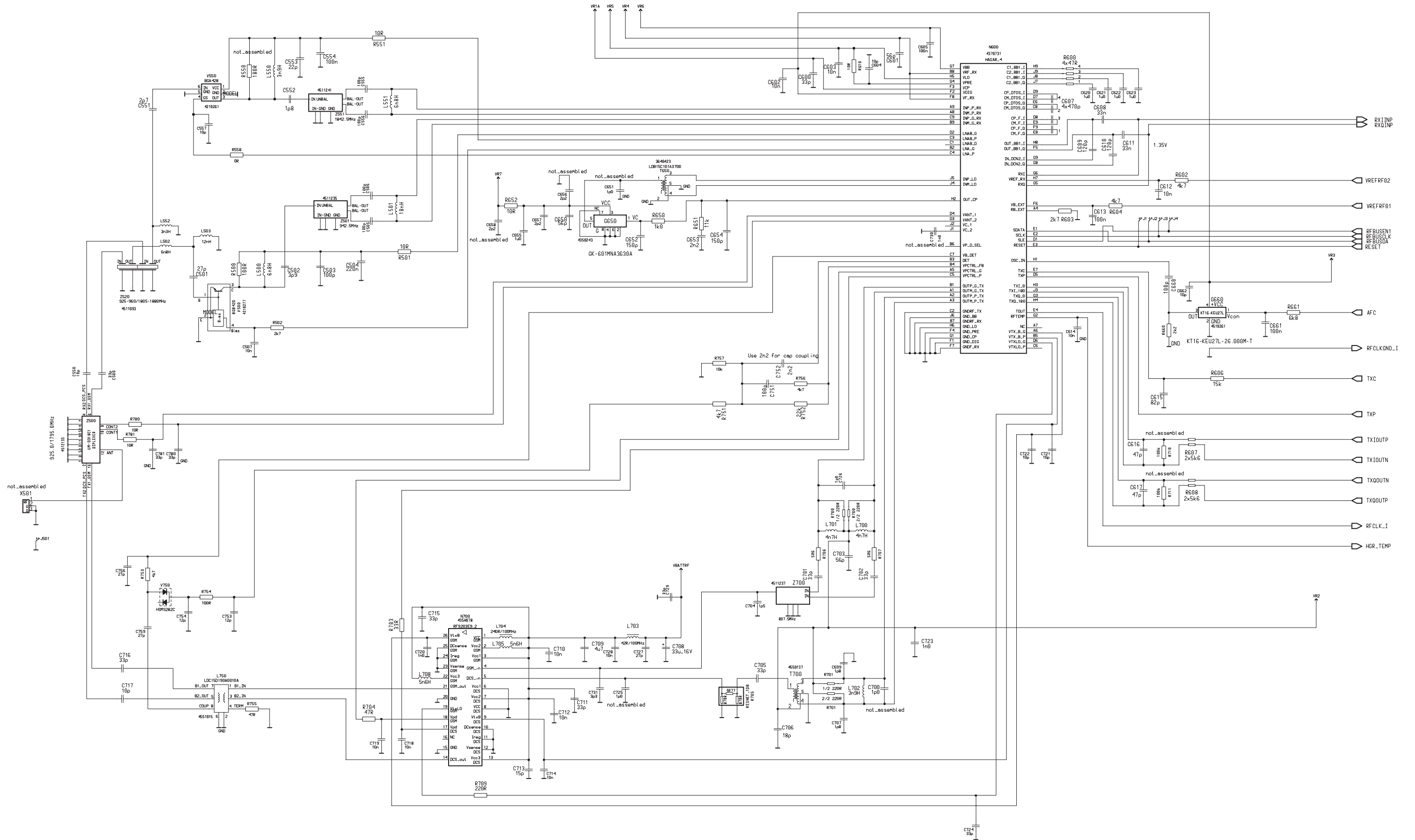
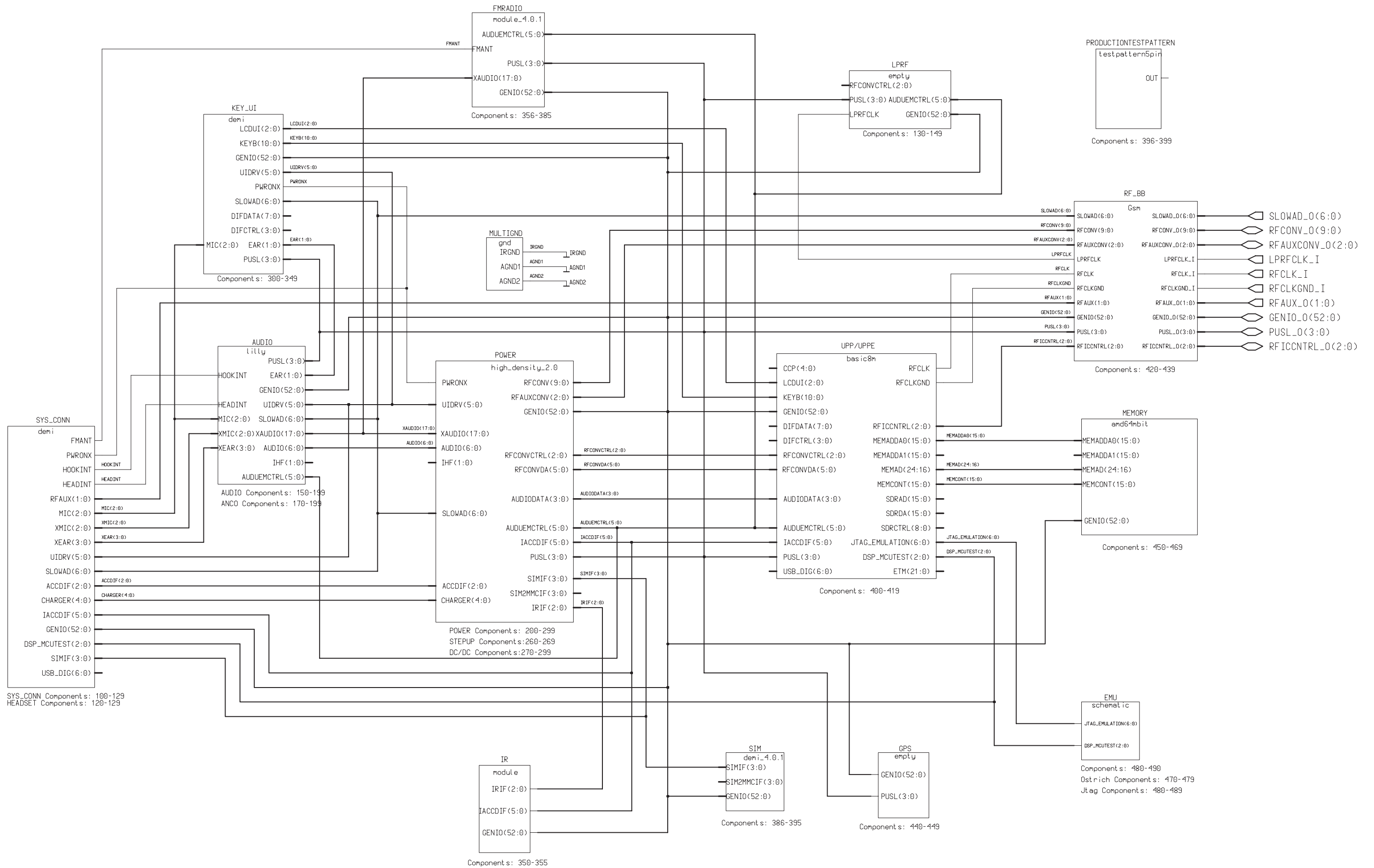


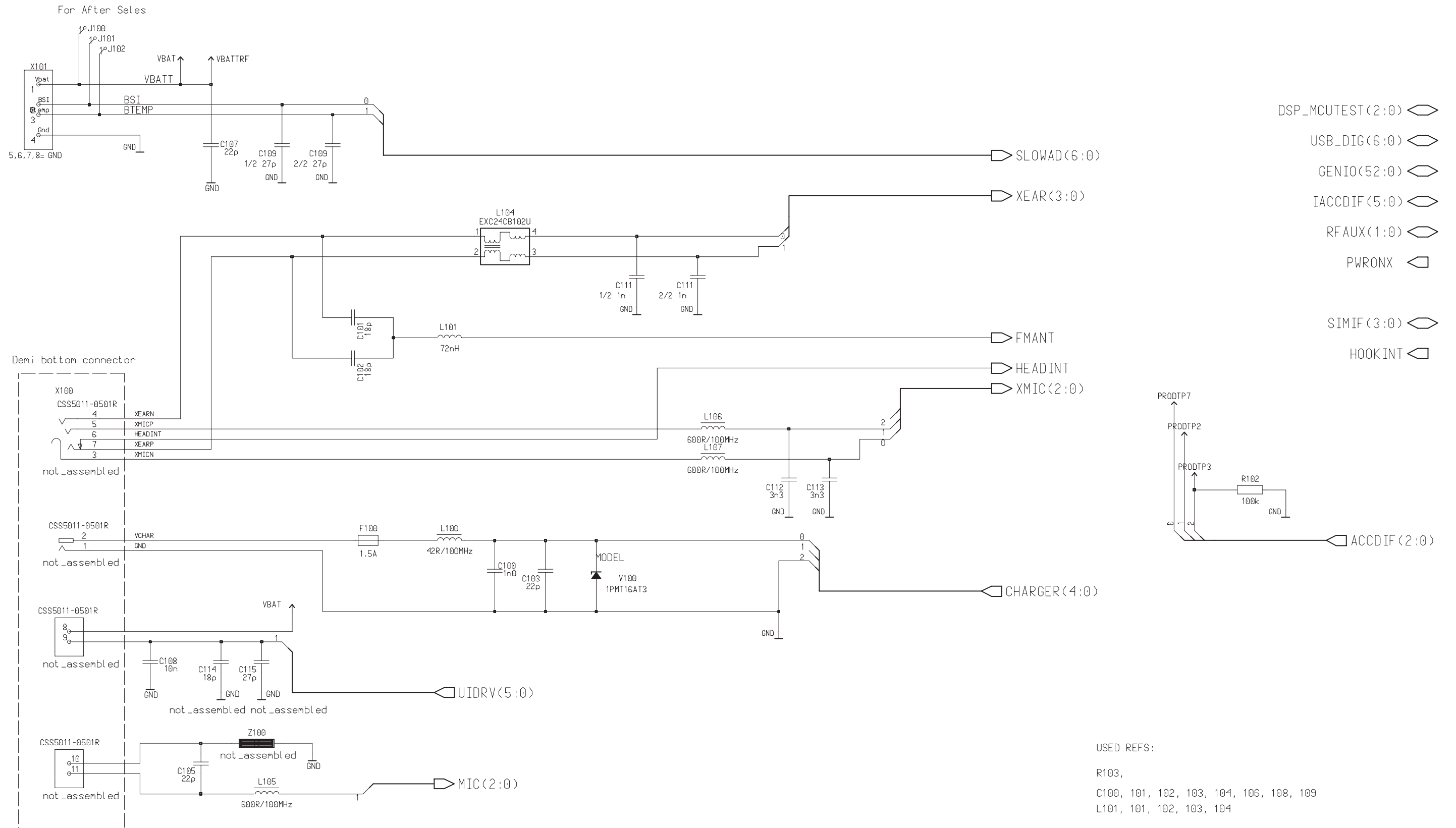
RF (Version 1.0 Edit 167) for layout version 15



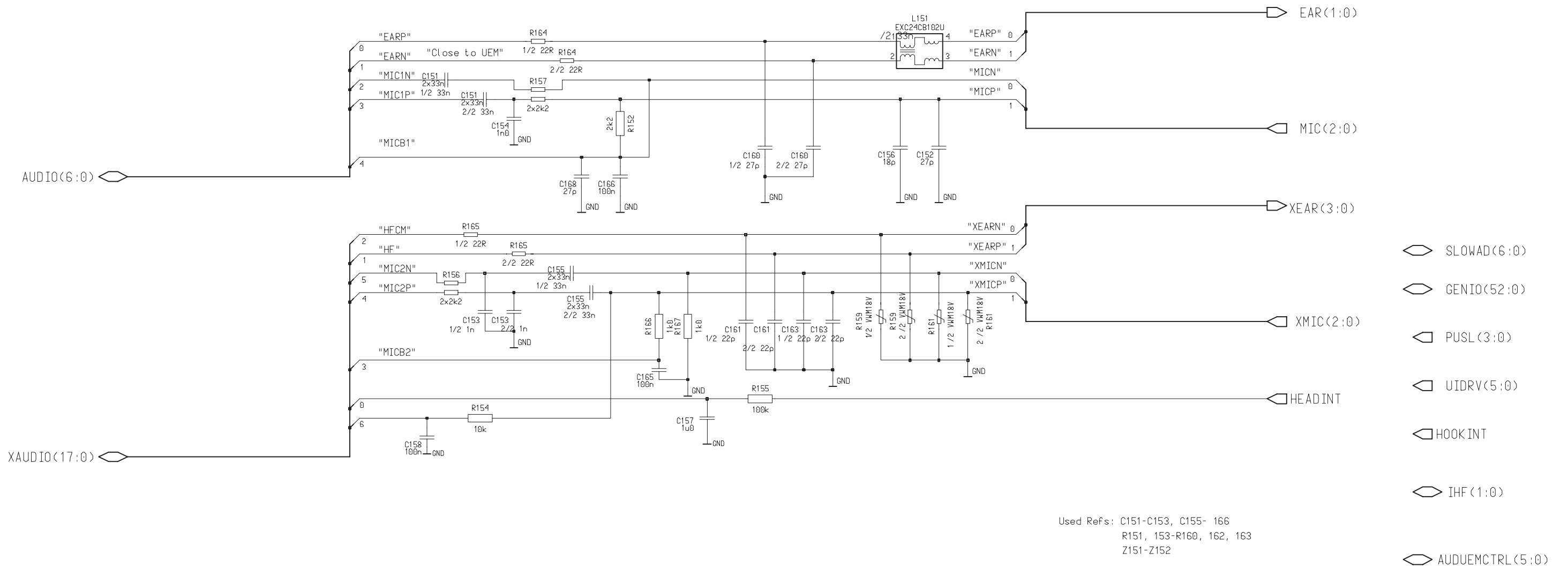
BB Connections (Version 0.0 Edit 96) for layout version 15



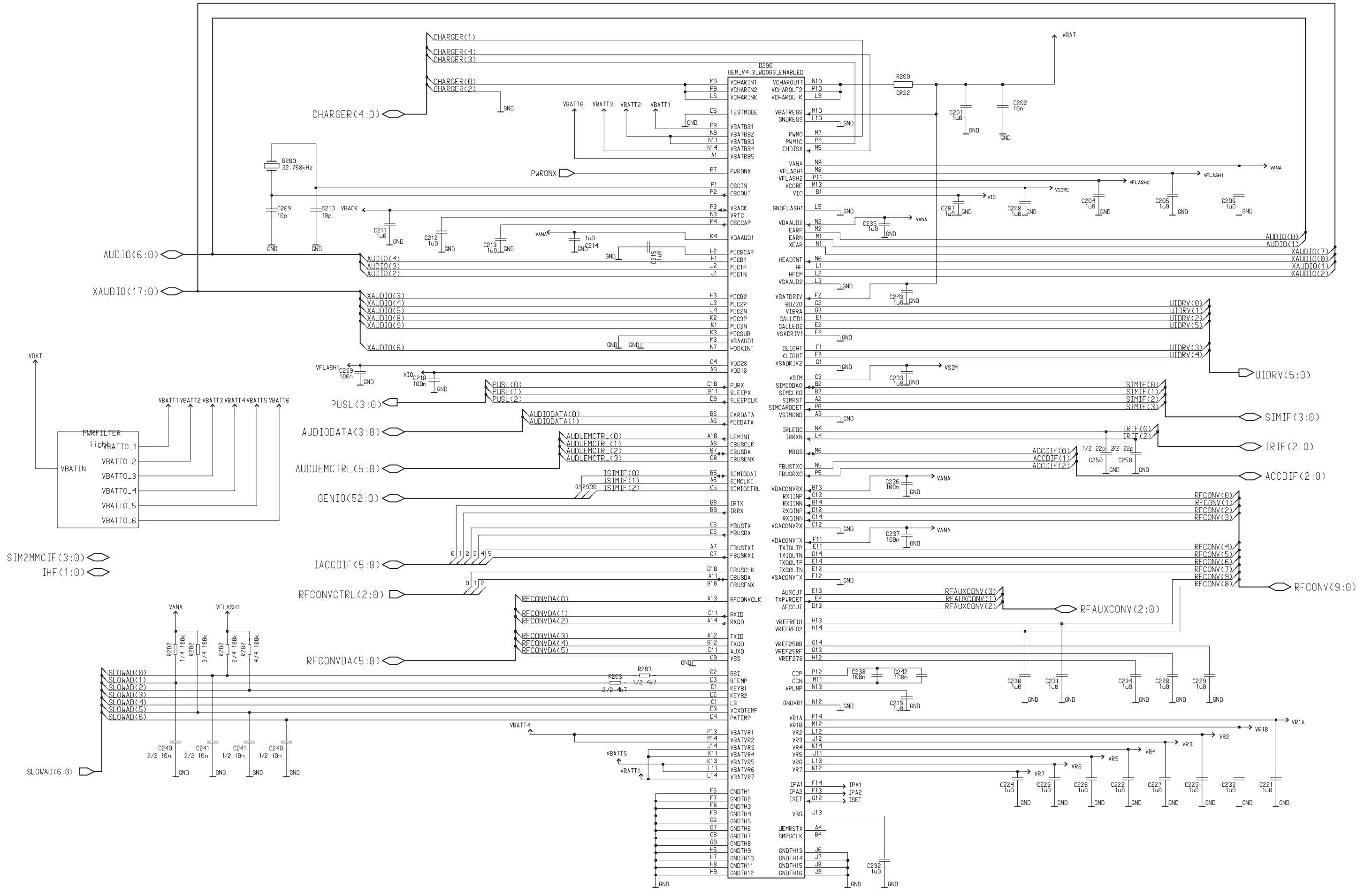
System Connector (Version 1.3 Edit 156) for layout version 15



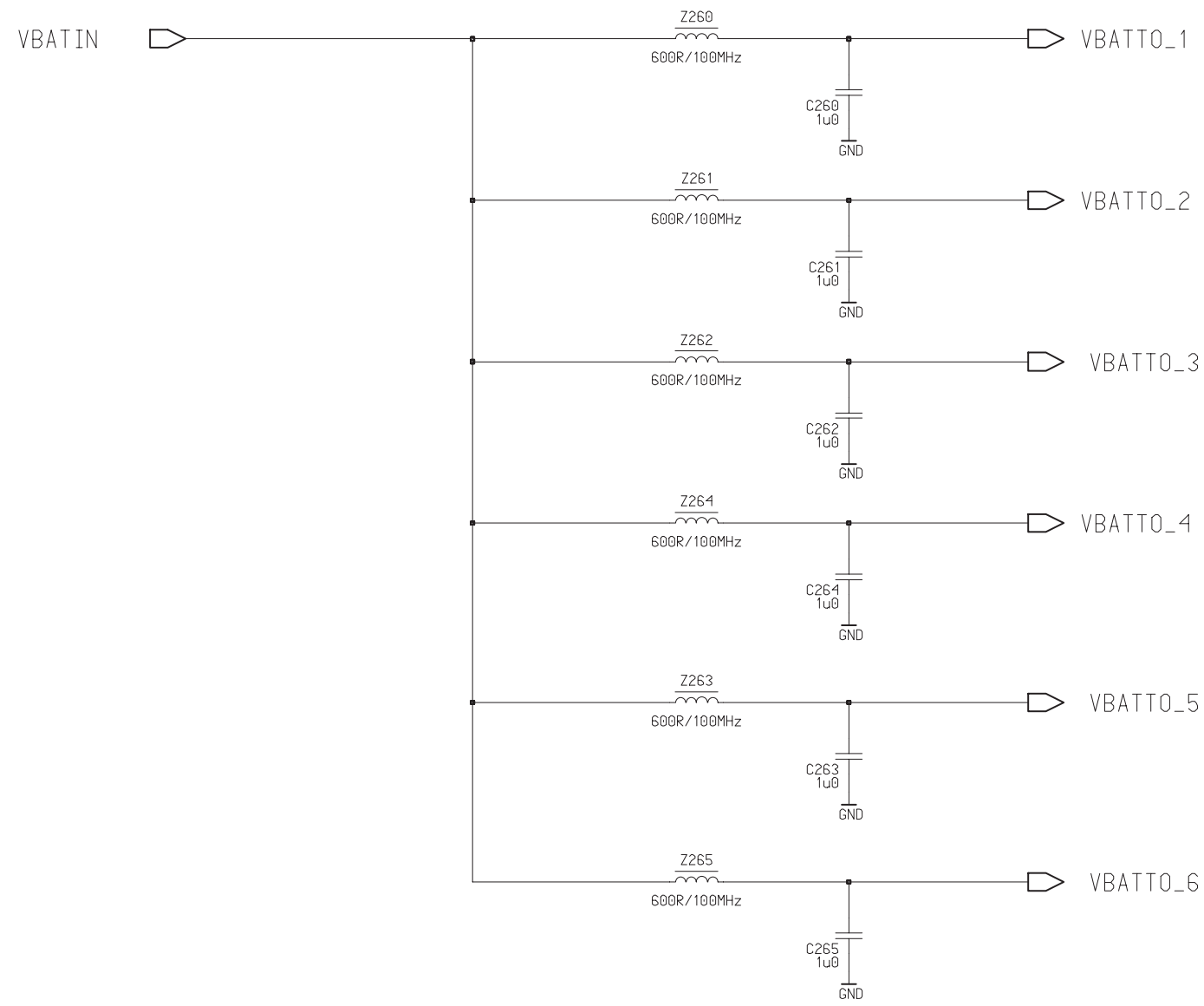
Audio Interface (Version 1.3 Edit 15) for layout version 15



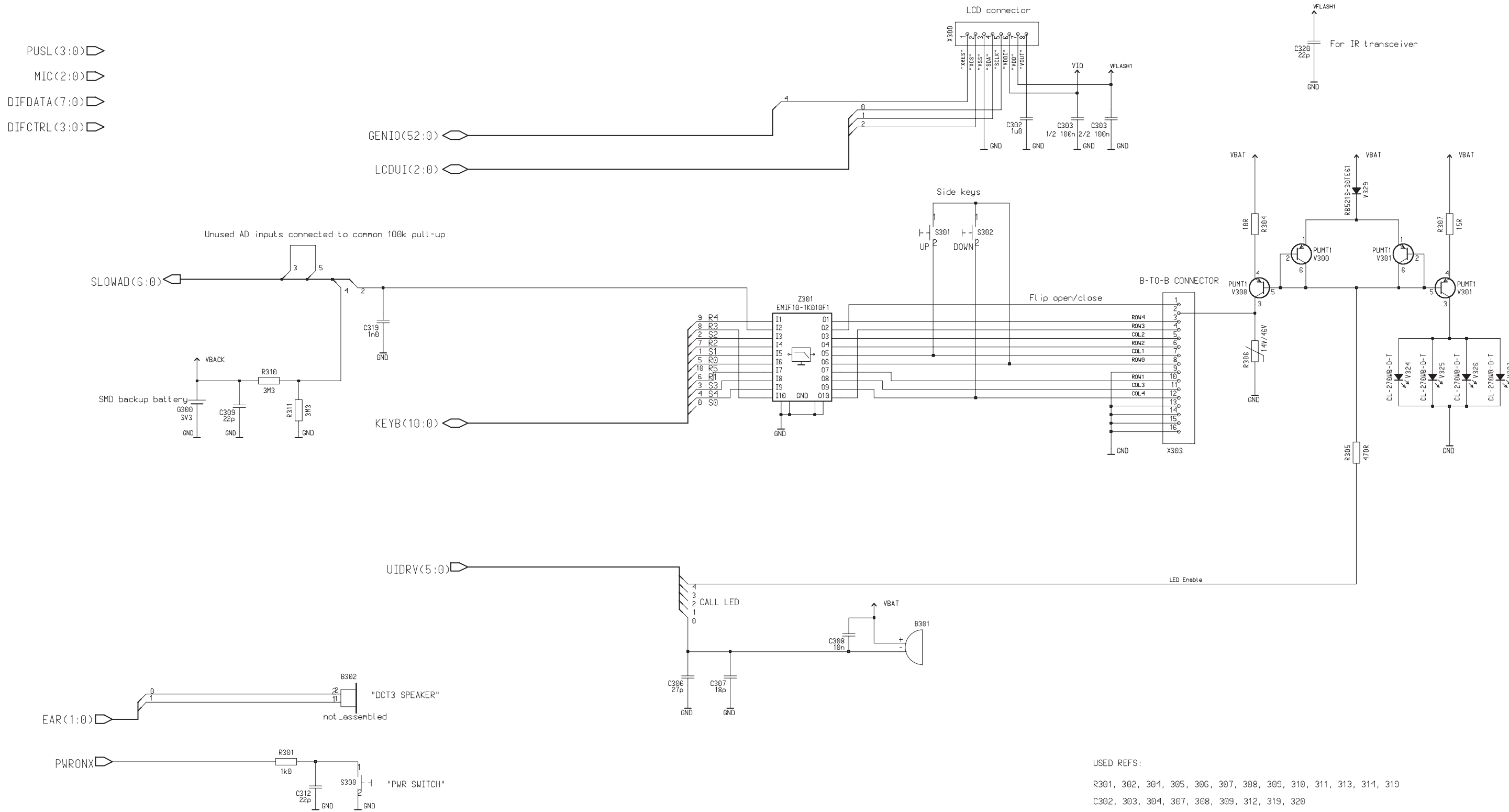
UEM of BB (Version 2.0 Edit 164) for layout version 15



Light Filtering (Version 2.0 Edit 34) for layout version 15

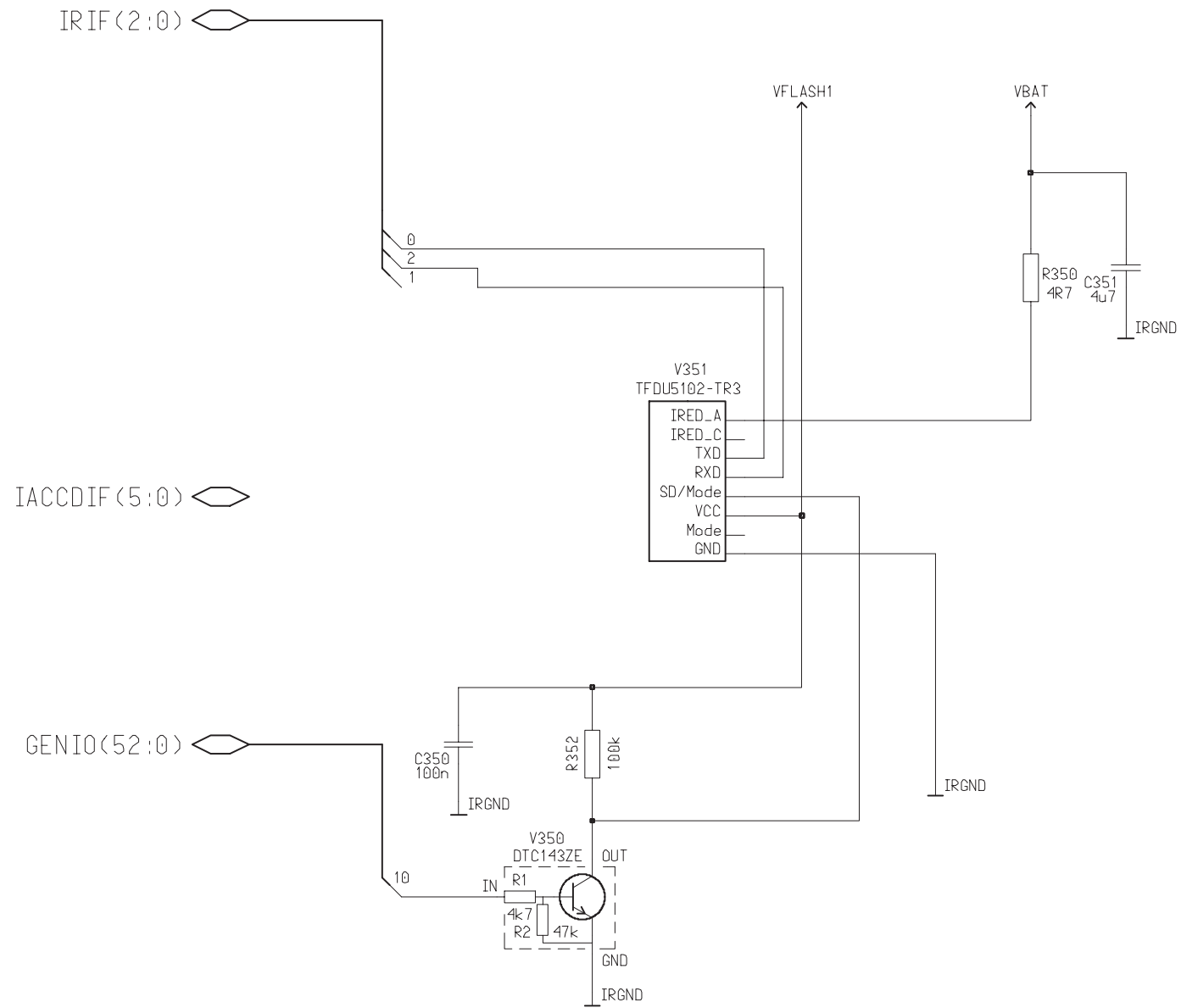


Display and Keyboard Interface (Version 1.3 Edit 201) for layout version 15

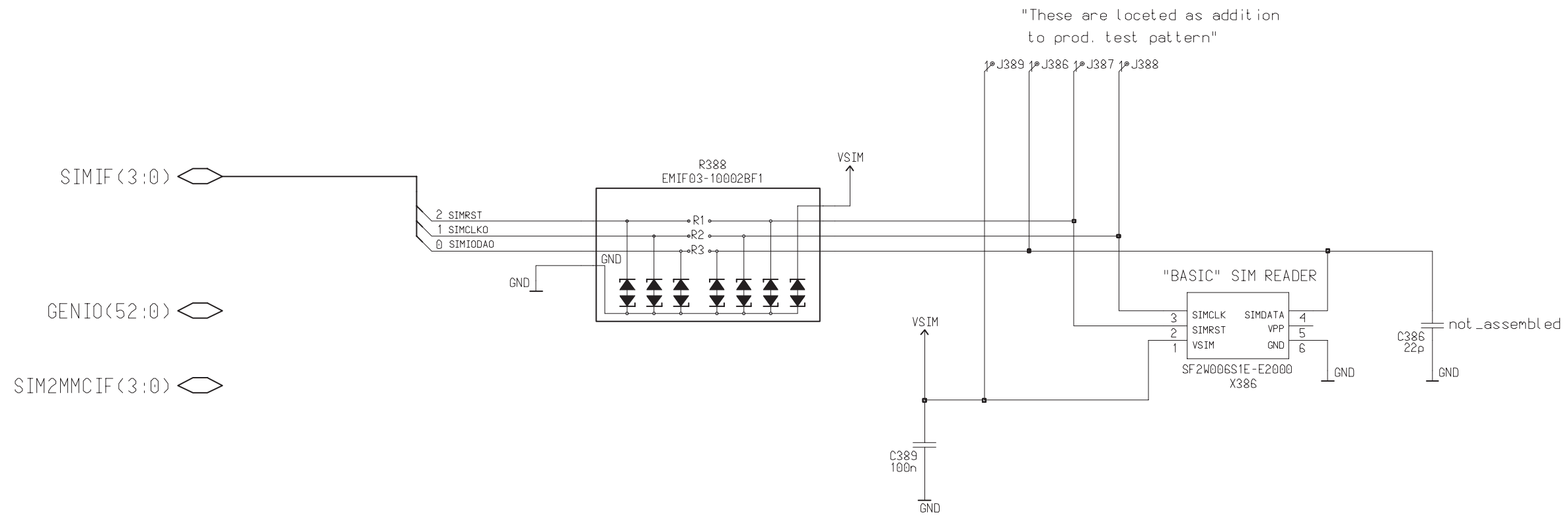


USED REFS:
R301, 302, 304, 305, 306, 307, 308, 309, 310, 311, 313, 314, 319
C302, 303, 304, 307, 308, 309, 312, 319, 320

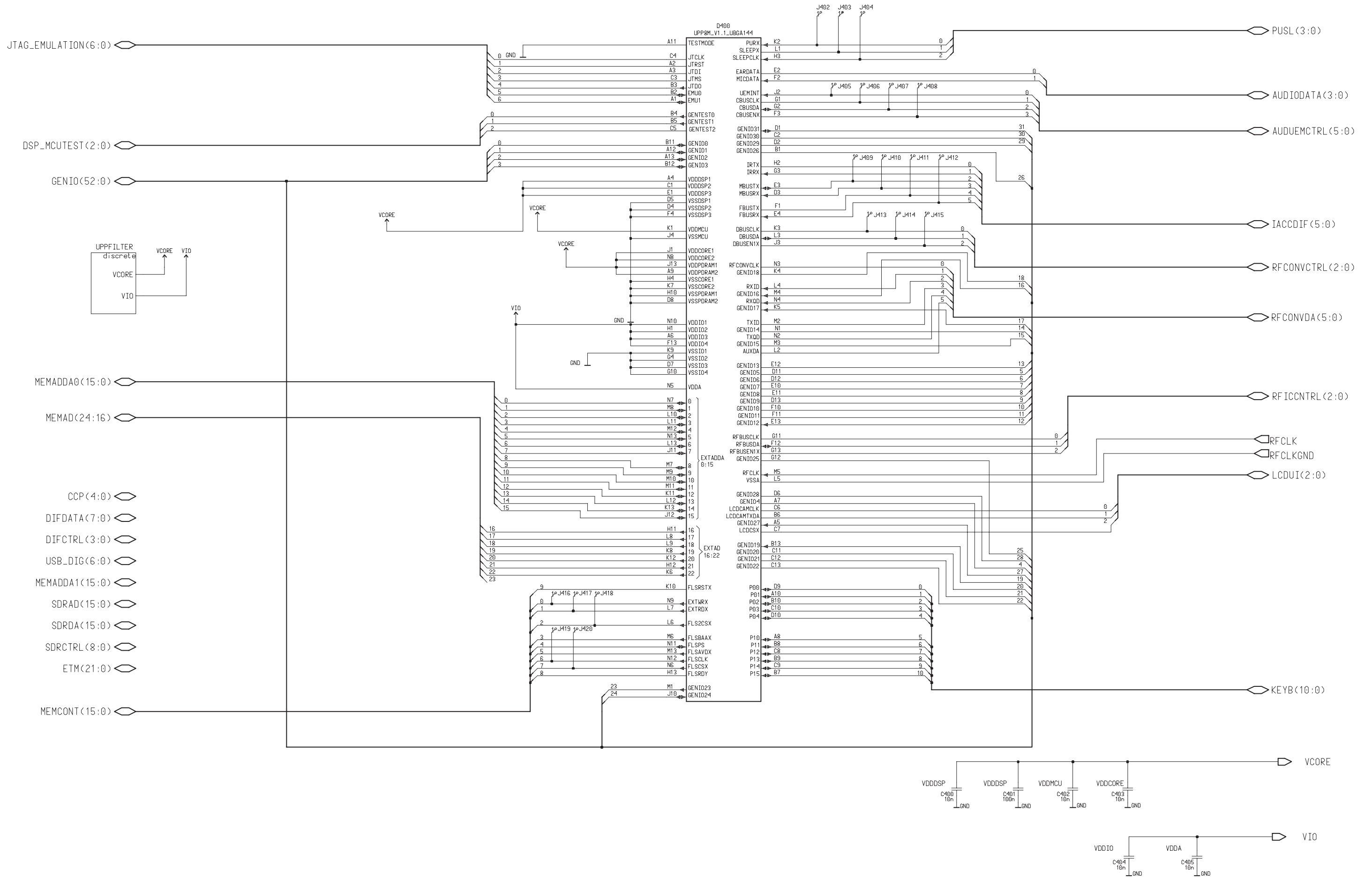
Infrared Module (Version 2.0 Edit 37) for layout version 15

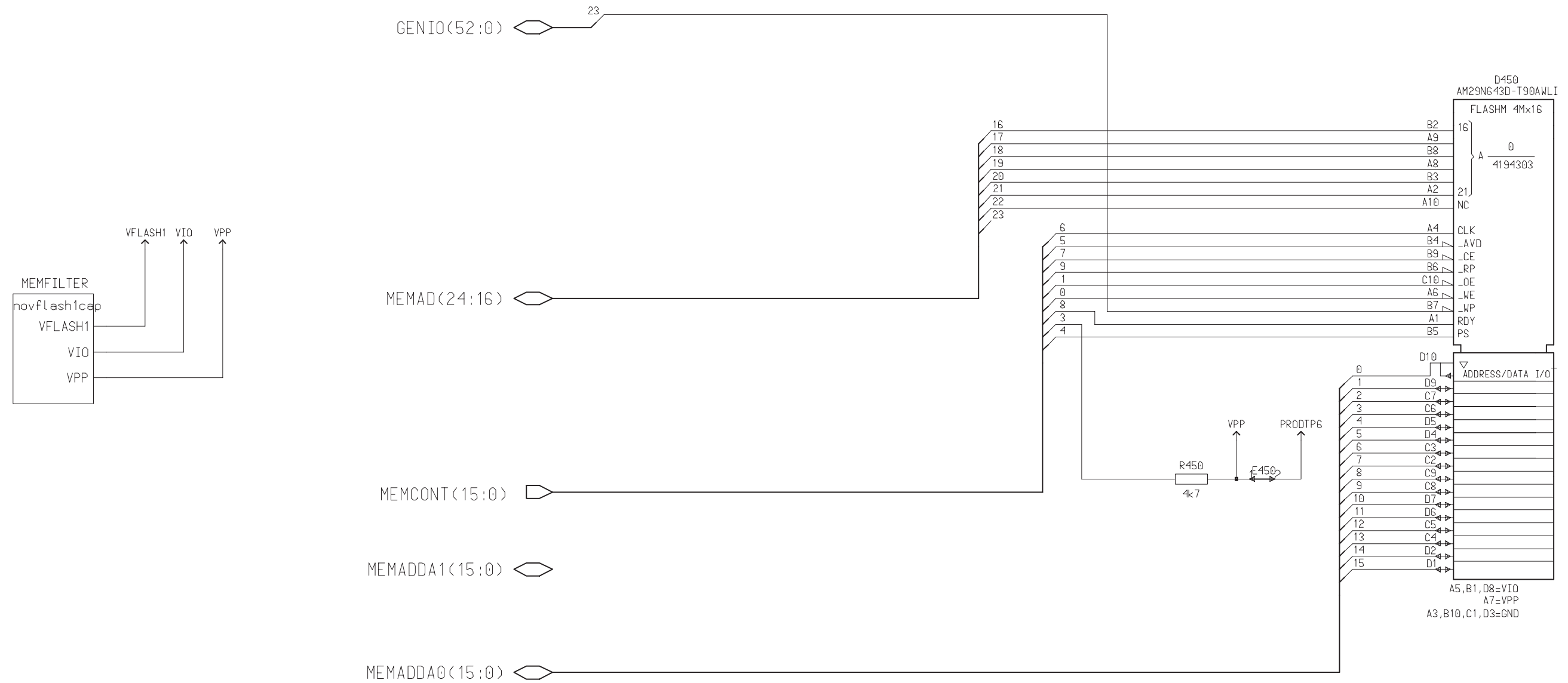


SIM Reader (Version 4.0.1 Edit 49) for layout version 15

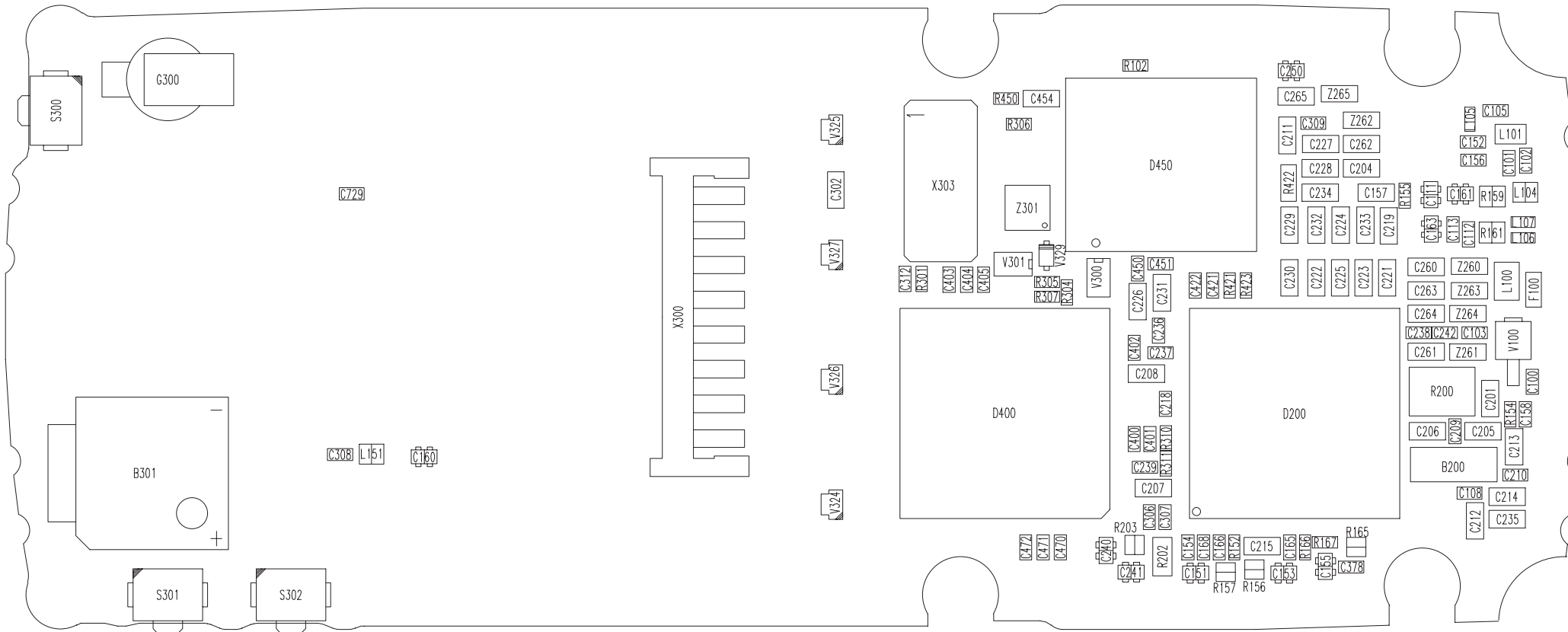


UPP and decoupling capacitors (Version 2.0 Edit 89) for layout version 15

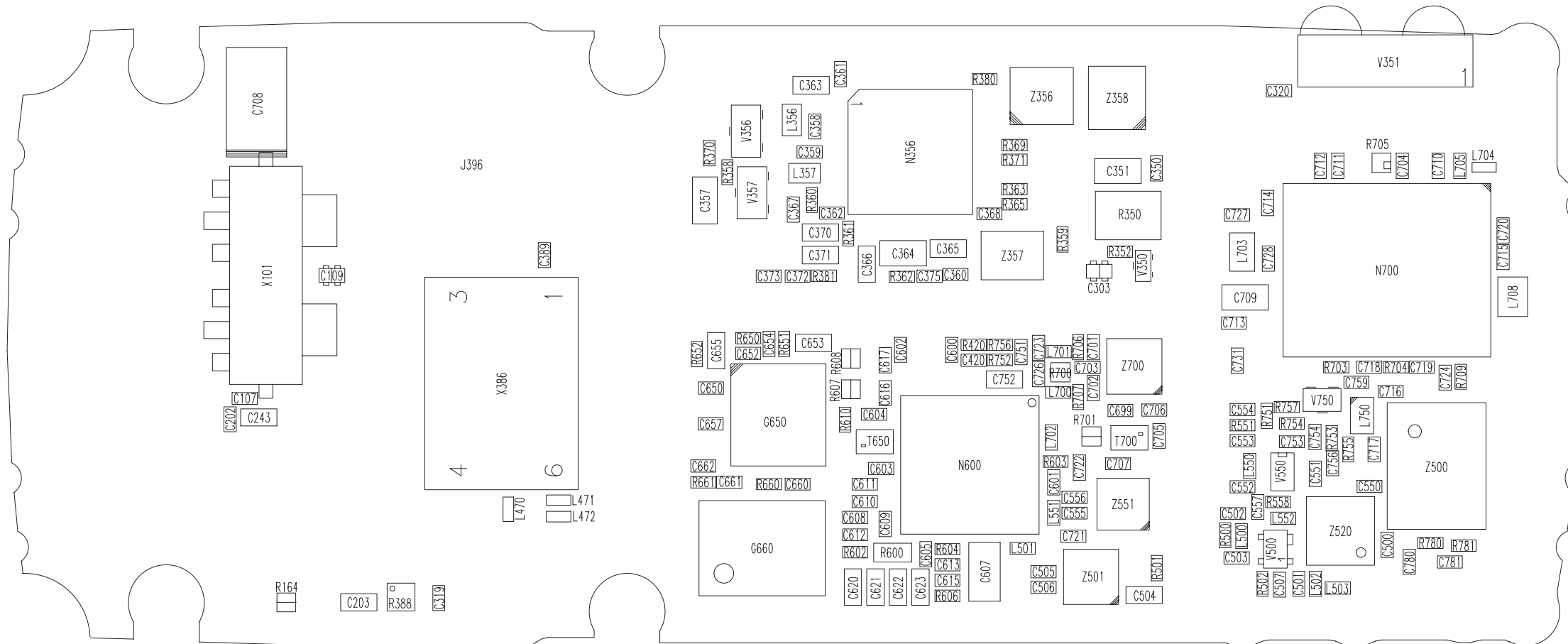




Layout Diagram of LA5 – Top (Version 15)

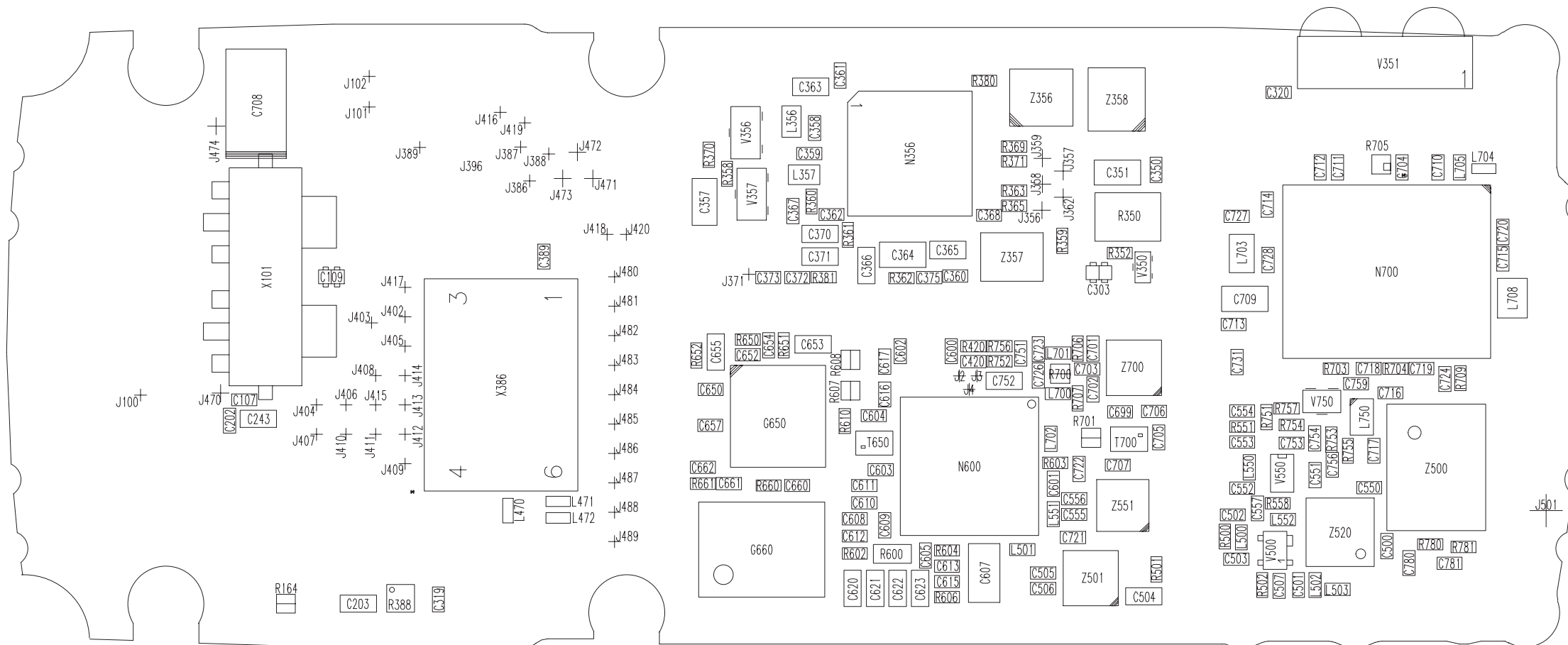


Layout Diagram of LA5 – Bottom (Version 15)

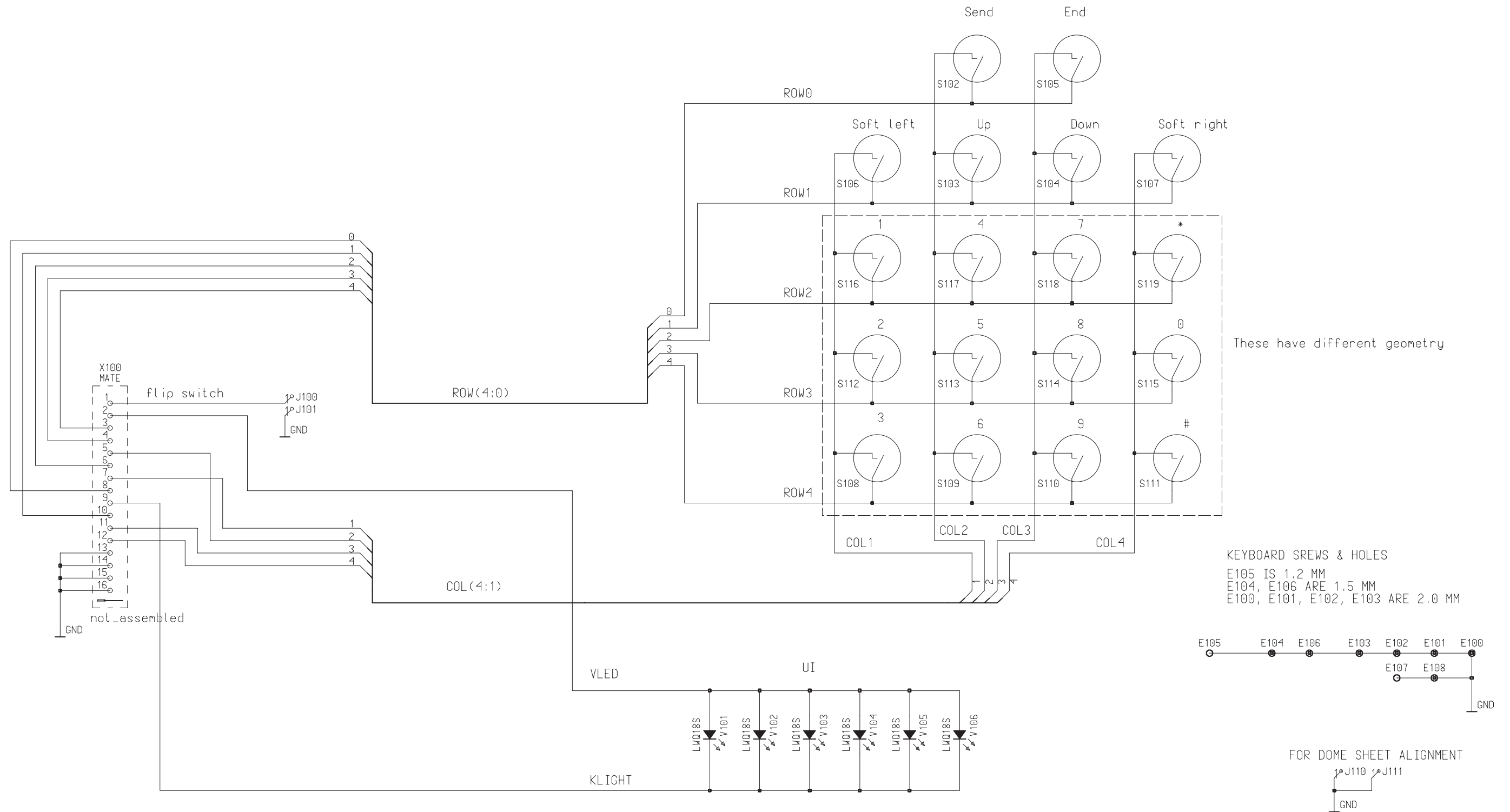


Testpoints of LA5 – Top (Version 15)

Testpoints of LA5 – Bottom (Version 15)



UI Board – LK5 for version 11



Layout Diagram – LK5 for version 11

